



ATMOS-TECH INDUSTRIES

AIR SHOWERS AND AIR SHOWER TUNNELS

Air Showers offer an effective way to reduce contaminants carried by individuals entering or leaving a controlled area. The Air Shower can be the solution to many decontamination problems

Air Shower Tunnels are protected passageways that allow large quantities of personnel to pass into controlled areas.

Air Showers and Tunnels supply concentrated CLASS 100 sterile air flows to remove contamination while an individual stands in or walks through a specially constructed air chamber. Pressurized air streams from nozzles at a velocity ranging from 6,000 to 8,000 feet per minute. This ensures the efficient scrubbing action necessary for the removal of particulate matter. Contaminated air is directed downward through the grilles and hollow walls of the Air Shower to the filter. Particles as small as 0.3 microns are removed with 99.97% efficiency.

ATMOS-TECH Air Shower Tunnels are used as downflow booths to remove particulate contamination from personnel entering clean rooms and sterile rooms. The Air Shower Tunnel is designed as a combination of basic floor plan styles placed either side by side or end to end. Air Showers and Tunnels meet all federal, military and industrial specifications for use with life science, bio medical, pharmaceutical, parental drug, microelectronic, aerospace, precision manufacturing and other applications. All Air Showers

and Air Shower Tunnels manufactured by Atmos-Tech are warranted for a period of one year from the date of delivery.

Atmos-Tech Air Showers and Air Shower Tunnels are economical to operate and require minimal maintenance.



SPECIAL ATMOS-TECH AIR SHOWER FEATURES

- Light switch, audible alarm and alarm reset
- Four-line, 64-character alpha/numerical LCD display which monitors system function during normal operation and displays menu functions for service and system key changes.
- Sixteen Key membrane keypad for system operation
 - Four number code to turn control on and off
 - Four number code to access system set-up
- Microprocessor Programming Capabilities
 - Time of day
 - Day of the week
 - Cycle time
 - Delay unlock time
 - Designate entry and exit doors
 - Replace entry system four-digit code
 - Initiate time-lock feature
 - Initiate security locking feature with a four-digit code
 - Initiate single direction access feature
- Microprocessor Diagnostic Capabilities
 - Air Shower disabling feature
 - Blower operations check
 - Door switch operations check
 - Door lock operations check
 - Presence sensor/mat switch check
 - Record blower operating hours
 - Record Air Shower cycle
- Standard interlocking doors which release automatically with power failure
- Standard fluorescent lighting contained in the ceiling to reduce turbulence LED is std lighting now
- Optional HEPA Ceiling provides a constant laminar flow to increase protection of the area
- Optional Ion Bar static eliminators when required
- Safety feature which automatically releases door locks in the event of a power failure
- Emergency stop button on each Air Shower which releases locks for exiting while sounding an alarm.

AIR SHOWER ELECTRICAL REQUIREMENTS

Three Phase Voltage

HP	MOTOR	BLOWER	VOLTAGE	AMPS
5HP	3N669	4C330	208V	15.3
			460V	6.8
2HP	3N667	4C329	208V	7.0
			230V	6.6
			460V	3.3

ATMOS-TECH INDUSTRIES
 1108 Pollack Ave., Ocean, NJ 07712
 Phone: 732-493-8400, Fax: 732-493-8954
 E-Mail: sales@atmostech.com

*Other voltages available upon request

575 VAC is available

Ontario Representation: **INDUSTRY AIR SALES LTD.**
 Guelph, ON
 Tel: 1-888-211-0171
 www.industryairsales.com

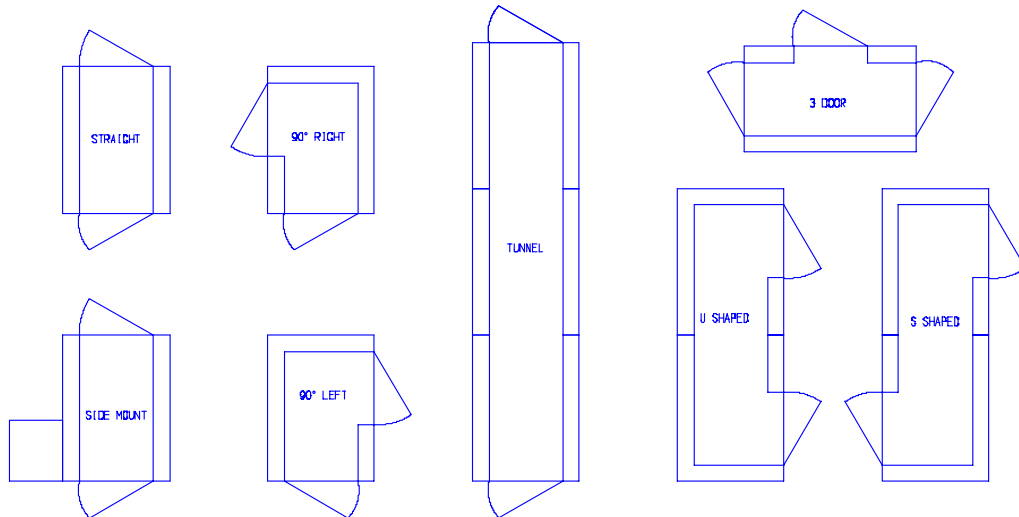
ATMOS-TECH PERSONNEL AIR SHOWERS

MODEL	Air Shower Tunnels											
	337	347	357	367	447	457	467	557	567	667	3127	3157
Base Section Ht. "	90	90	90	90	90	90	90	90	90	90	90	90
Width	52	52	52	52	58	58	58	64	64	70	52	52
Length	44	56	60	72	56	60	72	60	72	72	144	180
Blower Box Height	26	26	30	30	30	30	30	30	30	30	30	30
Door Width	36	36	36	36	36	36	36	42	42	49	30	30
Width-ID	35 1/2	35 1/2	35 1/2	35 1/2	41 1/2	41 1/2	41 1/2	47 1/2	47 1/2	53 1/2	35 1/2	35 1/2
Length-ID clear	35	47	51	63	47	51	63	51	63	63	135	171
Nozzles	20	20	32	36	32	32	36	32	36	40	60	96
Quantity of Blowers	1	1	1	1	1	1	1	1	1	1	3	3
CFM/blower @2" WG	1010	1010	1820	1820	1820	1820	1820	1820	1820	1820	3030	5460
RPM	3600	3600	3600	3600	3600	3600	3600	3600	3600	3600	3600	3600
Wheel Diameter	12 1/2	12 1/2	13 1/2	13 1/2	13 1/2	13 1/2	13 1/2	13 1/2	13 1/2	13 1/2	12 1/2	12 1/2
3 door available	no	no	yes	yes	no	yes	yes	yes	yes	Yes	yes	Yes
Shipping Weight	1600	1800	1900	2100	1800	2000	2200	2000	2200	2400	5300	5700
Filter: 11 1/2 deep x H>P>	18x24 2	18x24 2	24x24 5	24x24 5	24x24 5	24x24 5	24x24 5	24x24 5	24x24 5	24x24 5	3-18x24 3-2HP	3-24x24 3-5HP

HFC Model –for HEPA Filter Ceiling Model add 6" to base section height.

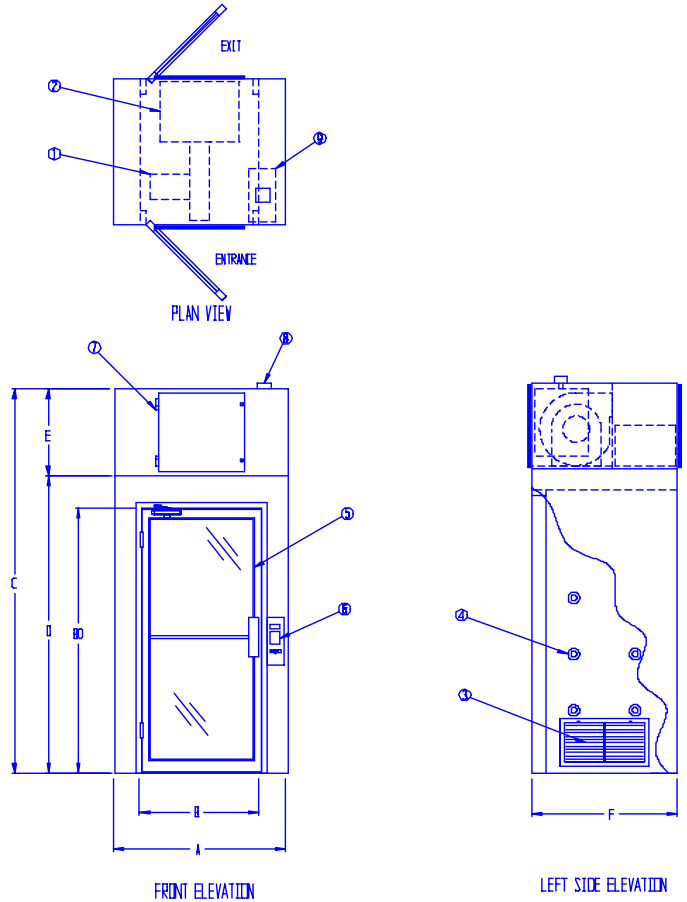
SPECIAL SIZES ARE AVAILABLE UPON REQUEST.

BASIC FLOOR PLANS



STANDARD AIR SHOWER COMPONENTS

- Motor/Blower assembly
- Power control box
- Emergency release button
- HEPA filter 99.7% effective on 0.3 micron particles
- Adjustable nozzles
- Fluorescent light fixture
- Automatically activated floor switch
- Anodized aluminum doors with plexiglass
- Microprocessor control panel
- Access panels for easy maintenance
- Electric interlocking chamber
- Single connection junction box
- Construction: High-Density 7/8" particle board laminated with plastic [Formica or equivalent]
- In accordance with our policy of continual product improvement, ATMOS-TECH reserves the right to incorporate and use equipment and material to conform with the latest design of its products while maintaining the specifications of the equipment.



OPTIONAL EQUIPMENT

- | | |
|---|---|
| <ul style="list-style-type: none"> • Epoxy Painted cold rolled steel and stainless steel • Safety plate glass doors • Magnehelic gauge HEPA and pre-filter • Knock-down assembly • Side-mounted HEPA and motor/blower • Ceiling-mounted HEPA filter which provides a constant laminar flow for added protection | <ul style="list-style-type: none"> • Ion bar static eliminators • Raised floor return • Explosion-proof construction • Water misting systems • Magnehelic gauges with alarms • Aluminum grated floor with clean-out pan |
|---|---|

ATMOS-TECH INDUSTRIES

1108 Pollack Ave., Ocean, NJ 07712
 Phone: 732-493-8400, Fax: 732-493-8954
 E-Mail: sales@atmostech.com

In line with our policy of continual product improvement, ATMOS-TECH reserves the right to incorporate and use equipment and material to conform with the latest design of its products and in keeping with the specifications of the equipment.

Ontario Representation:

INDUSTRY AIR SALES LTD.
 Guelph, ON
 Tel: 1-888-211-0171
www.industryairsales.com