



GOYEN

DISTRIBUTED BY:



650 Woodlawn Rd. W. Unit A-8  
Guelph, ON N1K 1B8

TEL: 888-211-0171 / 519-823-8900

FAX: 519-824-5599

EMAIL: [parts@industryairsales.com](mailto:parts@industryairsales.com)

[www.industryairsales.com](http://www.industryairsales.com)



T SERIES

# THREADED VALVES

# GOYEN - T SERIES THREADED VALVES

## PRODUCT LEAFLET



T Series

### DESCRIPTION

High performance diaphragm valve with threaded ports. Available with integral pilot or as remotely piloted valve. Outlet at 90° to inlet.

### SUITABLE FOR

Dust collector applications, in particular for reverse pulse jet filter cleaning and its variations, including bag filters, cartridge filters and envelope filters, ceramic filters and sintered metal fibre filters.

### CONSTRUCTION

**Body:** Aluminium (diecast)

**Ferrule:** 305 SS

**Armature:** 430FR SS

**Seals:** Nitrile or Viton

**Spring:** 304 SS

**Screws:** 302 or 304 SS

**Diaphragm Seat:** PA-66 (standard), Viton or Nitrile coated mild steels, Nitrile, Viton or High Density PE

Refer to Q Series Solenoid product data sheet for solenoid construction details.

### OPERATION

**Recommended on-time range:** 50–500 ms

**Recommended time between pulses:**

1 minute or greater

### MAINTENANCE

Before conducting any maintenance activity on the system ensure that components are fully isolated from pressure and power supplies. Pressure and power should not be reapplied until the valve has been fully assembled.

Diaphragm and pilot inspection should be conducted annually.

### APPROVALS

- ATEX II 3 GD (RCA/RCAC only)
- CSA [C, US] [C22.2 No 139–10 and UL 429:2009] [CA & RCA]
- C-Tick (CA)
- EMC 2004/108/EC (CA)
- Low Voltage Directive 2006/95/EC (CA)

### WEIGHTS

SIZE	INTEGRAL PILOT [CA] KG [LB]	REMOTE PILOT [RCA] KG [LB]	SIZE	INTEGRAL PILOT [CA] KG [LB]	INTEGRAL PILOT [CA] KG [LB]
10	NA	0.06 [0.14]	50	2.89 [6.38]	2.68 [5.92]
35	1.04 [2.28]	0.83 [1.83]	62	3.31 [7.30]	3.09 [6.82]
45	1.50 [3.30]	1.28 [2.83]	76	4.77 [10.52]	4.56 [10.04]

### MAINTENANCE KITS

MODEL	NITRILE	VITON	LOW TEMPERATURE –60°C (–76°F) MIN.	INCLUDES
RCA10-6T	K1001	K1002	NA	Diaphragm kits include main and secondary diaphragms (where required) and all springs.
CA/RCA35T	K3500	K3501	K3502	
CA/RCA45T	K4502	K4503	K4522	
CA/RCA50/62T	K5004	K5000	NA	
CA/RCA76T	K7600	K7601	NA	
Pilot repair kit	K0380	K0384	NA	O-ring, armature assembly, armature spring, ferrule

### PRODUCT CHARACTERISTICS AND PERFORMANCE

NOM. SIZE	NOMINAL PORT SIZE		NUMBER OF DIAPHRAGMS	FLOW	
	MM	INCH		KV	CV
10	6	1/4	1	2.5	2.9
35	40	1.5	1	35	42
45	40	1.5	2	44	51
50	50	2	2	76	88
62	62	2.5	2	91	106
76	76	3	2	144	167

#### Pressure Range:

30[5]–860[125] kPa[psi]

#### Temperature Range:

Nitrile Seals: –40°C (–40°F) to 82°C (179.6°F)

Viton Seals: –29°C (–20.2°F) to 232°C (449.6°F)

# GOYEN - T SERIES THREADED VALVES

PRODUCT LEAFLET

## ORDER CODE

RCA 35 T 0 1 0 301	
<b>Pilot type</b> RCA=remotely piloted CA=integral pilot	<b>Solenoid type</b> Coil type for CA only. See the RCA3 Solenoid Pilot Valves brochure for coil options.
<b>Valve size</b> 35 mm* 45 mm* 50 mm 62 mm 76 mm	<b>Diaphragm material</b> 0=Nitrile 1=Viton 3=EPDM (4ST)
<b>Pilot size</b> 0=1/8" or CA 1=1/4" (Not available on 35T)	<b>Thread type</b> 0=NPT or CA 1=RC 2=G

\*Note that the 35 & 45 share the same port sizes.

## ORDER CODE RCA10-6T SERIES

RCA10-6T/645 (1/4" NPT IN/OUT port, 1/8" NPT pilot port)  
RCA10-6T/669 (1/4" RC IN/OUT port, 1/8" RC pilot port)

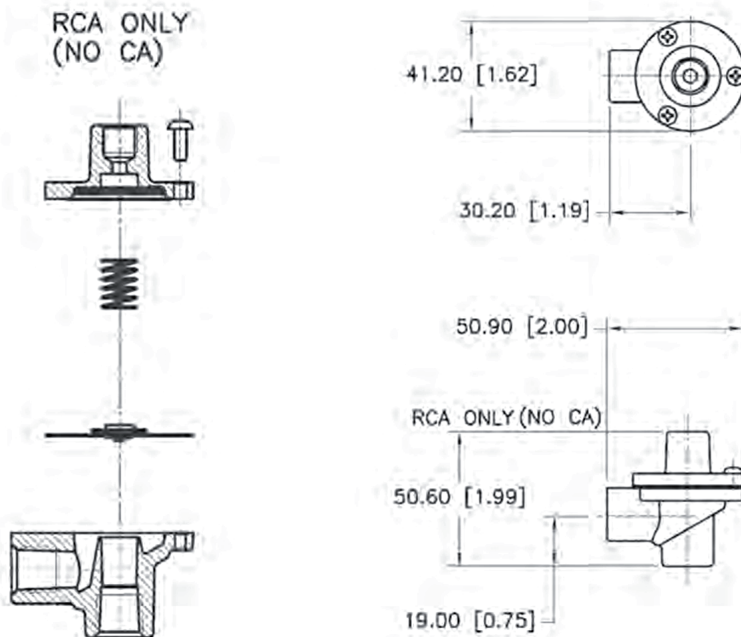
## EXAMPLES

CA50T010-300  
2" threaded port valve with 2" RC port threads, nitrile seals and 200/240 V AC integral pilot with DIN socket terminals.

RCA50T001  
2" threaded port valve with 1/8" NPT remote pilot port, 2" NPT port threads and viton seals.

## DIMENSIONS IN MM (AND INCHES)

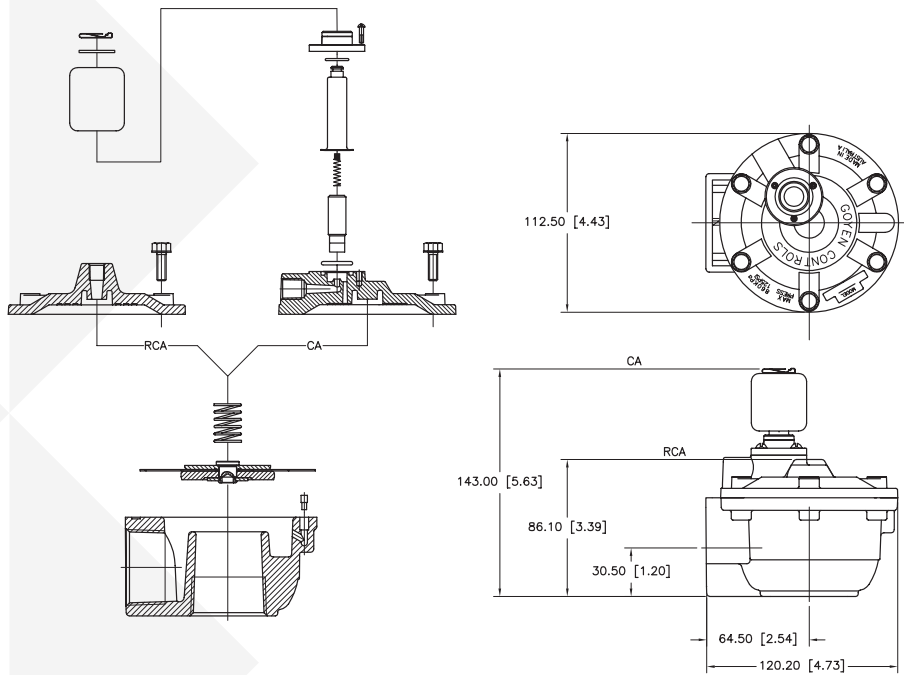
### RCA10-6T



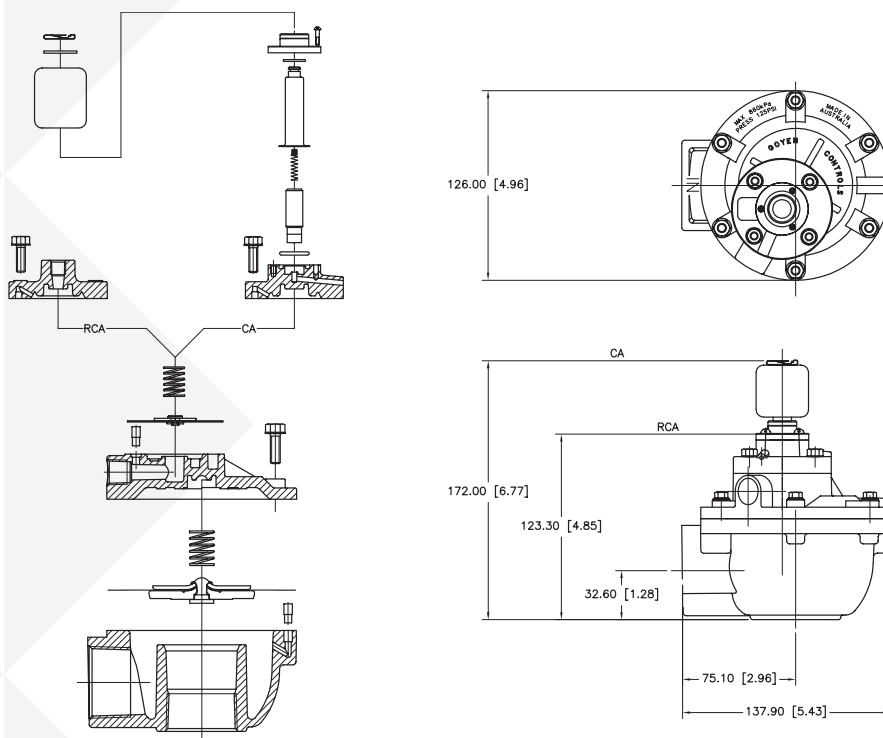
# GOYEN - T SERIES THREADED VALVES

PRODUCT LEAFLET

## CA/RCA35T



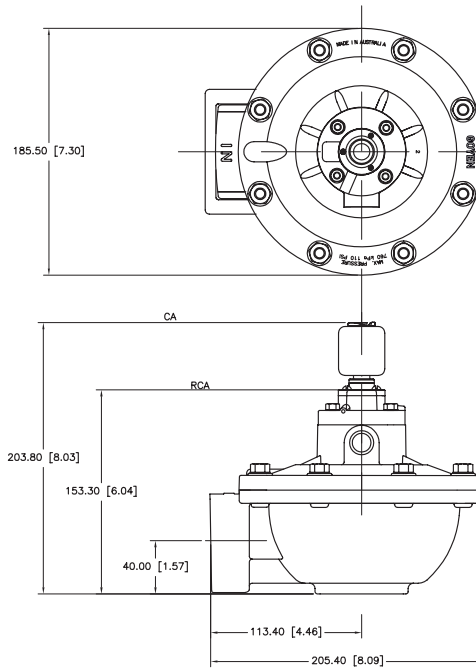
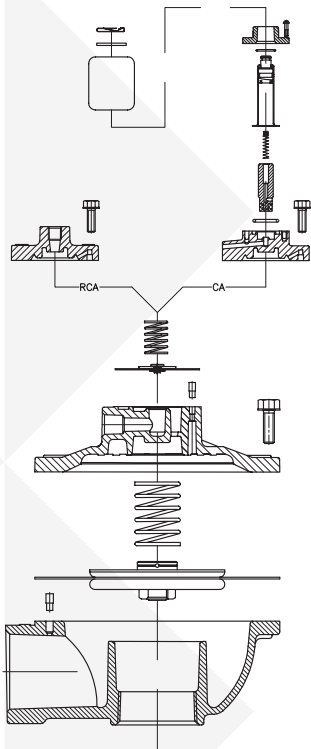
## CA/RCA45T



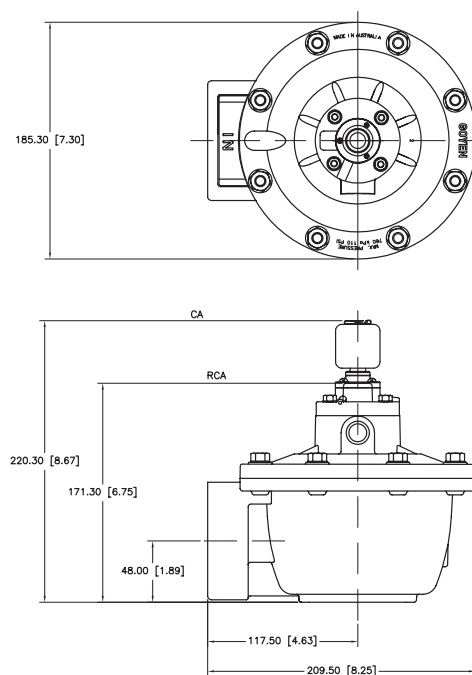
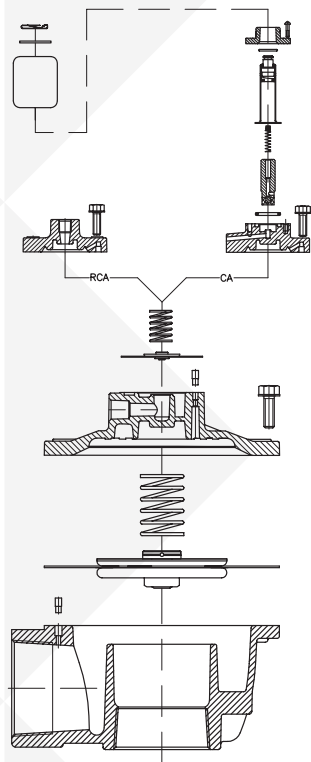
# GOYEN - T SERIES THREADED VALVES

PRODUCT LEAFLET

CA/RCA50T



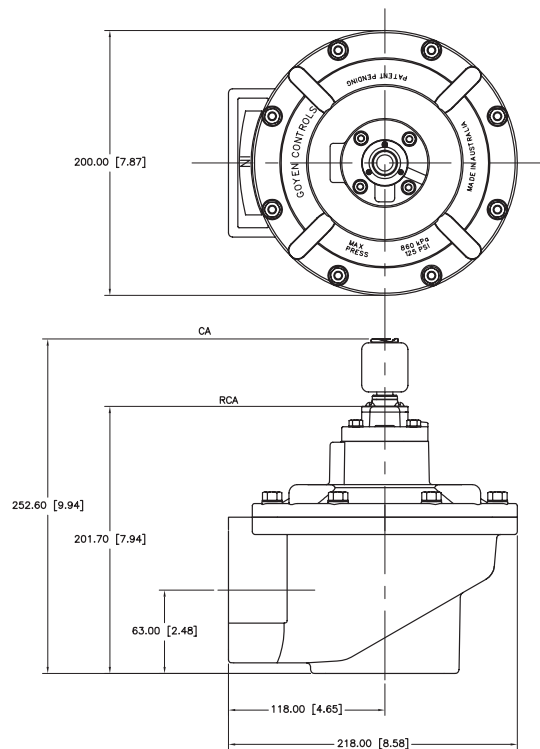
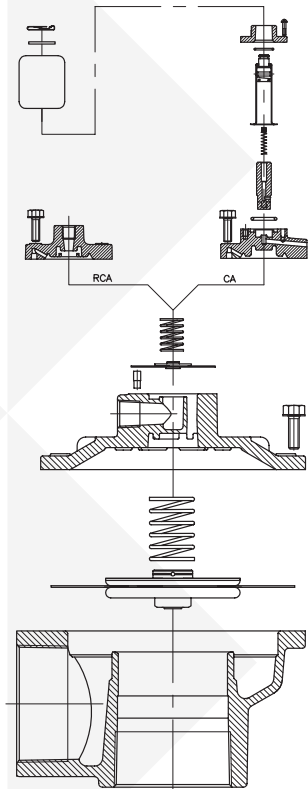
CA/RCA62T



# GOYEN - T SERIES THREADED VALVES

PRODUCT LEAFLET

CA/RCA76T



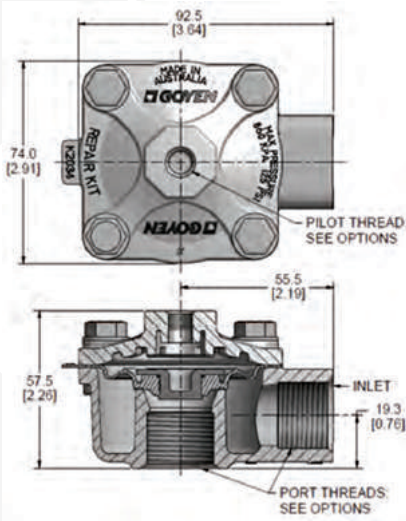
# GOYEN - T SERIES THREADED VALVES

PRODUCT LEAFLET

## RCAC20T4 - REVERSE PULSE JET VALVES



### DIMENSIONS IN MM (AND INCHES)



### DESCRIPTION

High-performance diaphragm valve with threaded ports. Equipped with 'Shockwave' springless diaphragm. The 4 series valves are available as remote pilot valves and may be converted to an integral pilot using either the RCA3DM or RCA3PV screw-in pilots. Outlet is at 90° to inlet.

### SUITABLE FOR

Dust collector applications, in particular for reverse pulse jet filter cleaning and its variations, including bag filters, cartridge filters and envelope filters, ceramic filters and sintered metal fibre filters.

### CONSTRUCTION

**Body:** Aluminium (diecast)  
**Screws:** 304 Stainless steel  
**Diaphragm:** Proprietary highperformance engineering thermoplastic Elastomer or Viton

### OPERATION

**Recommended on-time range:** 50 to 500 ms  
**Recommended time between pulses:** 1 minute or greater

### MAINTENANCE

Before conducting any maintenance activity on the system ensure that components are fully isolated from pressure and power supplies. Pressure and power should not be reapplied until the valve has been fully assembled.

Diaphragm and pilot inspection should be conducted annually.

### APPROVALS

The RCAC20T4 meets the requirements of the European Low Voltage Directive 2006/95/EC, when fitted with the RCA3PV pilot.

**Please Note:** We recommend using Schedule 40 pipe. Thickness OD is as shown below.

SIZE	OD MM	OD INCHES
3/4"	26.67	1.05

### WEIGHTS

VALVE	KG (LB)
RCAC20T4	0.31 (0.68)

### MAINTENANCE KITS

MODEL	SHOCKWAVE	VITON
RCAC20T4	K2034	K2033

### PRODUCT CHARACTERISTICS AND PERFORMANCE

NOMINAL PORT SIZE MM (INCH)	NUMBER OF DIAPHRAGMS	FLOW		PRESSURE RANGE KPA (PSI)	TEMPERATURE RANGE °C °[F]	
		KV	CV		SHOCKWAVE	VITON
20 (3/4)	1	14	17	30(5) to 860(125)	-40(-40) to 82(179.6)	-29(-20.2) to 232(449.6)

### EXAMPLES

RCAC20T4012  
 3/4" RC threaded valve with 1/8" RC pilot port thread, Shockwave diaphragm.

**Note:**  
 1/8 Pilot available in NPT, RC and G Thread.  
 1/4 Pilot is only available in G Thread.

### ORDER CODE

RCAC20T4 0 1 2	
<b>Pilot size</b> 0=1/8" 1=1/4"	<b>Diaphragm material</b> 1=Viton 2=Shockwave
	<b>Thread type</b> 0=NPT 1=RC 2=G

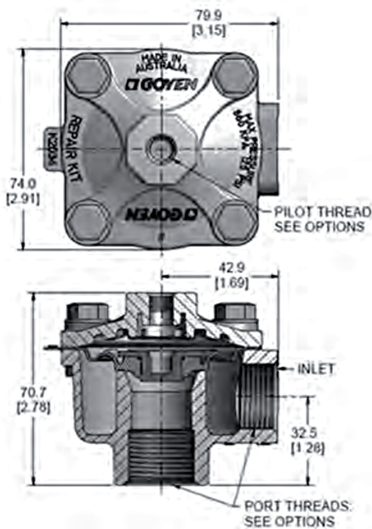
# GOYEN - T SERIES THREADED VALVES

PRODUCT LEAFLET

## RCAC20ST4 - REVERSE PULSE JET VALVES



### DIMENSIONS IN MM (AND INCHES)



### DESCRIPTION

High-performance diaphragm valve with short threaded ports. Equipped with 'Shockwave' springless diaphragm. The 4 series valves are available as remote pilot valves and may be converted to an integral pilot using either the RCA3DM or RCA3PV screw-in pilots. Outlet is at 90° to inlet.

### SUITABLE FOR

Dust collector applications, in particular for reverse pulse jet filter cleaning and its variations, including bag filters, cartridge filters and envelope filters, ceramic filters and sintered metal fibre filters.

### CONSTRUCTION

**Body:** Aluminium (diecast)  
**Screws:** 304 Stainless steel  
**Diaphragm:** Proprietary highperformance engineering thermoplastic Elastomer or Viton

### OPERATION

**Recommended on-time range:** 50 to 500 ms  
**Recommended time between pulses:** 1 minute or greater

### MAINTENANCE

Before conducting any maintenance activity on the system ensure that components are fully isolated from pressure and power supplies. Pressure and power should not be reapplied until the valve has been fully assembled.

Diaphragm and pilot inspection should be conducted annually.

### APPROVALS

The RCAC20ST4 meet the requirements of the European Low Voltage Directive 2006/95/EC, when fitted with the RCA3PV pilot.

**Please Note:** We recommend using Schedule 40 pipe. Thickness OD is as shown below.

SIZE	OD MM	OD INCHES
3/4"	26.67	1.05

### WEIGHTS

VALVE	KG (LB)
RCAC20ST4	0.30 (0.66)

### MAINTENANCE KITS

MODEL	SHOCKWAVE	VITON
RCAC20ST4	K2034	K2033

### PRODUCT CHARACTERISTICS AND PERFORMANCE

NOMINAL PORT SIZE MM (INCH)	NUMBER OF DIAPHRAGMS	FLOW		PRESSURE RANGE KPA (PSI)	TEMPERATURE RANGE °C °[F]	
		KV	CV		SHOCKWAVE	VITON
20 (3/4)	1	14	17	30(5) to 860(125)	-40(-40) to 82(179.6)	-29(-20.2) to 232(449.6)

### EXAMPLES

RCAC20ST4012  
 3/4" RC Short threaded valve with 1/8" RC pilot, 4/3" RC port threads, Shockwave diaphragm.

**Note:**  
 1/8 Pilot available in NPT, RC and G Thread.  
 1/4 Pilot is only available in G Thread.

### ORDER CODE

<b>RCAC20ST4</b>	<b>0</b>	<b>1</b>	<b>2</b>
<b>Pilot size</b>	0=1/8"	1=1/4"	
<b>Diaphragm material</b>	1=Viton	2=Shockwave	
<b>Thread type</b>	0=NPT	1=RC	2=G



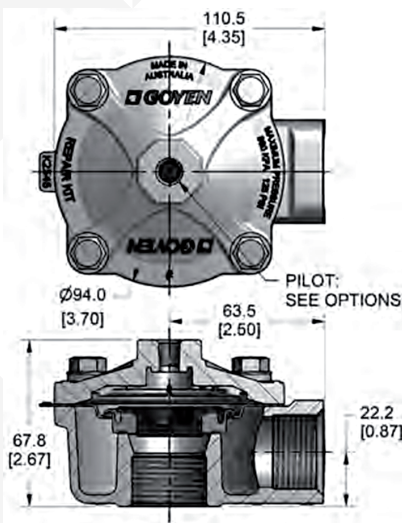
# GOYEN - T SERIES THREADED VALVES

PRODUCT LEAFLET

## RCAC25T4 - REVERSE PULSE JET VALVES



### DIMENSIONS IN MM (AND INCHES)



### DESCRIPTION

High-performance diaphragm valve with threaded ports. Equipped with 'Shockwave' springless diaphragm. The 4 series valves are available as remote pilot valves and may be converted to integral pilot using either the RCA3DM or RCA3PV screw-in pilots. Outlet is at 90° to inlet.

### SUITABLE FOR

Dust collector applications, in particular for reverse pulse jet filter cleaning and its variations, including bag filters, cartridge filters and envelope filters, ceramic filters and sintered metal fibre filters.

### CONSTRUCTION

**Body:** Aluminium (diecast)  
**Screws:** 304 Stainless steel  
**Diaphragm:** Proprietary highperformance engineering thermoplastic Elastomer or Viton

### OPERATION

**Recommended on-time range:** 50 to 500 ms  
**Recommended time between pulses:** 1 minute or greater

### MAINTENANCE

Before conducting any maintenance activity on the system ensure that components are fully isolated from pressure and power supplies. Pressure and power should not be reapplied until the valve has been fully assembled.

Diaphragm and pilot inspection should be conducted annually.

### APPROVALS

The RCAC25T4 meets the requirements of the European Low Voltage Directive 2006/95/EC, when fitted with the RCA3PV pilot.

**Please Note:** We recommend using Schedule 40 pipe. Thickness OD is as shown below.

SIZE	OD MM	OD INCHES
1"	33.4	1.315

### WEIGHTS

VALVE	KG (LB)
RCAC25T4	0.56 (1.23)

### MAINTENANCE KITS

MODEL	SHOCKWAVE	VITON
RCAC25T4	K2546	K2551

### PRODUCT CHARACTERISTICS AND PERFORMANCE

NOMINAL PORT SIZE MM (INCH)	NUMBER OF DIAPHRAGMS	FLOW		PRESSURE RANGE KPA (PSI)	TEMPERATURE RANGE °C °(F)	
		KV	CV		SHOCKWAVE	VITON
25 (1)	1	24	27	30(5) to 860(125)	-40(-40) to 82(179.6)	-29(-20.2) to 232(449.6)

### EXAMPLES

RCAC25T4012  
 1" RC threaded port valve with 1/8" RC pilot port threads, Shockwave diaphragm.

**Note:**  
 1/8 Pilot available in NPT, RC and G Thread.  
 1/4 Pilot is only available in G Thread.

### ORDER CODE

<b>RCAC25T4</b>	<b>0</b>	<b>1</b>	<b>2</b>
<b>Pilot size</b>	0=1/8"	1=1/4"	
<b>Diaphragm material</b>		1=Viton	2=Shockwave
<b>Thread type</b>	0=NPT	1=RC	2=G

# GOYEN - T SERIES THREADED VALVES

PRODUCT LEAFLET

---

## DIAPHRAGM SERVICE KITS FOR DELETED VALVES

---

### Maintenance kits

MODEL	NITRILE	VITON	LOW TEMPERATURE -60°C (-76°F) MIN.	INCLUDES
CA/RCA20T	K2000	K2007	NA	Diaphragm kits include main and secondary diaphragms (where required) and all springs.
CA/RCA25T	K2501	K2503	K2504	
CA/RCA32T	K2500	NA	NA	
CA/RCA40T	K4000	NA	NA	



**GOYEN CONTROLS PTY LIMITED**

268 MILPERRA ROAD, MILPERRA NSW 2214, AUSTRALIA [WWW.GOYENMECAIR.PENTAIR.COM](http://WWW.GOYENMECAIR.PENTAIR.COM)

Note: The information and data contained in this document are based on our general experience and are believed to be correct. They are given in good faith and are intended to provide a guideline for the selection and use of our products. Since the conditions under which our products may be used are beyond our control, this information does not imply any guarantee of final product performance and we cannot accept any liability with respect to the use of our products. The quality of our products is guaranteed under our conditions of sale. Existing industrial property rights must be observed.  
PL PENTAIR GOYEN THREADED VALVES 3517 © 2017 Pentair. All Rights Reserved.