



GOYEN

DISTRIBUTED BY:



650 Woodlawn Rd. W. Unit A-8
Guelph, ON N1K 1B8

TEL: 888-211-0171 / 519-823-8900

FAX: 519-824-5599

EMAIL: parts@industryairsales.com

www.industryairsales.com



PILOT VALVE ENCLOSURES FOR NON-HAZARDOUS LOCATIONS

GOYEN - NEMA4/RAINTIGHT/ATEX II 3 D G DIECAST PILOT VALVE ENCLOSURES (5, 8, 12 VALVE) FOR NON-HAZARDOUS LOCATIONS

PRODUCT LEAFLET

DIECAST ALUMINIUM ENCLOSURES FOR GOYEN RCA3D PILOT VALVES



3-5 V Enclosure



3-8 V Enclosure



3-12 V Enclosure

SUITABLE FOR

ATEX Category Ex II 3 GD and IP65 and all other non-hazardous applications, for piloting Goyen diaphragm valves.

INSTALLATION

Ensure device is disconnected from power before opening the enclosure. These enclosures are all finished with the common solenoid terminals pre-wired.

For reliable operation, ensure supply voltage is within -10% and +15% of rated solenoid voltage.

To guarantee NEMA4 performance ensure gasket is in place when attaching lid to enclosure base. Replace components within 1 million cycles (refer to Spare Parts).

CONSTRUCTION

Body: Aluminium (diecast)
Pilot Body: Aluminium (diecast)
Ferrule: 305 SS
Armature: 430FR SS
Seals: Nitrile
Screws: 302 SS or 304 SS
Clip: Mild steel (plated)

SPARE PARTS

K0380 Nitrile replacement seal, armature, spring & ferrule kit.
 K0384 As above in viton.
 RCA3D0-*** } Replacement pilot assemblies.
 RCA3D1-*** } Refer to page 3 of RCA3 Solenoid Pilot Valves brochure.

PRODUCT PERFORMANCE

FLOW	MAXIMUM WORKING PRESSURE	MINIMUM WORKING PRESSURE	TEMPERATURE MIN	TEMPERATURE MAX	FLUID MEDIA
0.32 Cv/ 0.27 Kv	860 kPa/ 125 psi	0 kPa/0 psi	-40°C/-40°F	82°C/180°F	Air or inert gas

OPERATION

Recommended on time range: 50-500 ms
Recommended time between pulses: 1 minute or greater

OPTIONS

- Heater, see order code below
- Anti-condensation heater, see order code below

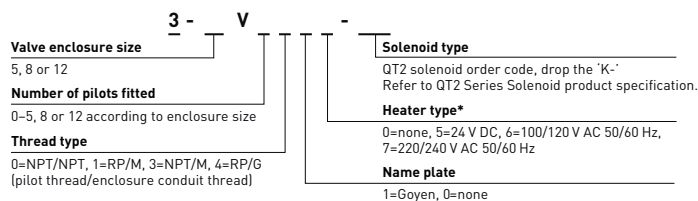
APPROVALS

- C-Tick
- CE - EMC (2004/108/EC) and LV (2006/95/EC)
- CSA
- UL Listed J&P 42V8
- ATEX Ex II 3 D G

Approvals do not apply when heaters or slave cards are installed.

ANTI-CONDENSATION HEATER, SEE ORDER CODE BELOW

EXAMPLE



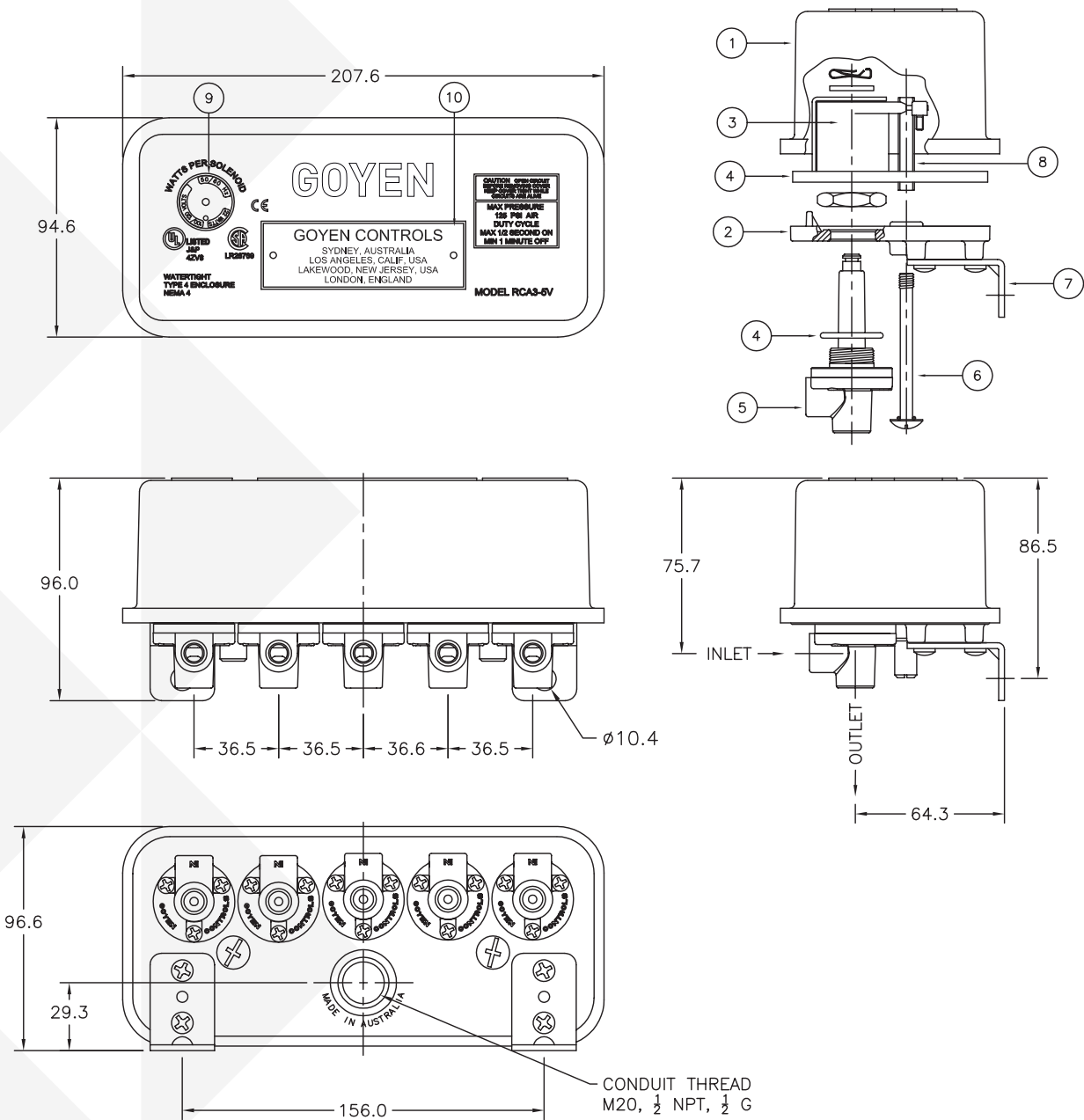
3-8V6010-330
 8 valve enclosure, fitted with 6 pilots, with NPT pilot and conduit thread type, Goyen name plate, no heater and 220/240 V AC 50/60 Hz solenoids.

Note that enclosures are pre-wired with QT2 type solenoids only.
 * = heaters currently not available in 3-5V5 enclosures.

GOYEN - NEMA4/RAINTIGHT/ATEX II 3 D G DIECAST PILOT VALVE ENCLOSURES (5, 8, 12 VALVE) FOR NON-HAZARDOUS LOCATIONS

PRODUCT LEAFLET

DIMENSIONS AND WEIGHTS IN MM

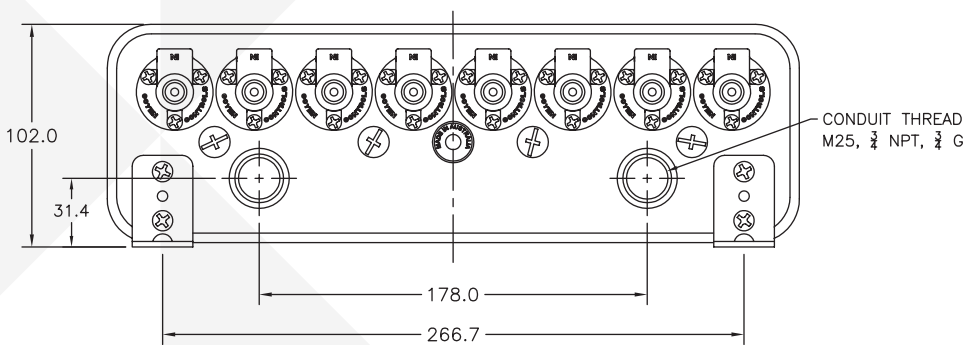
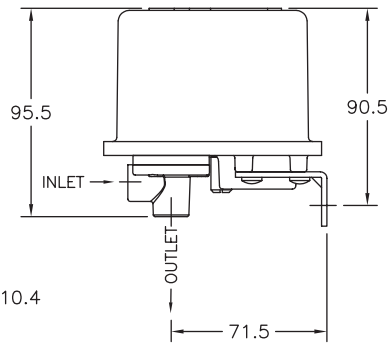
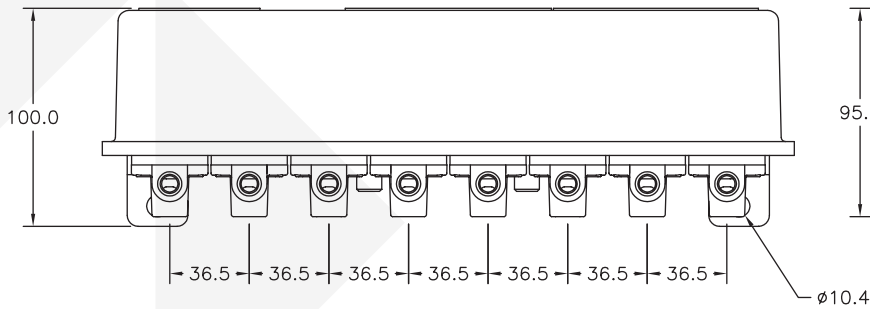
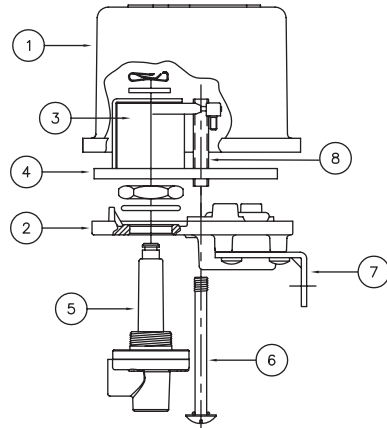
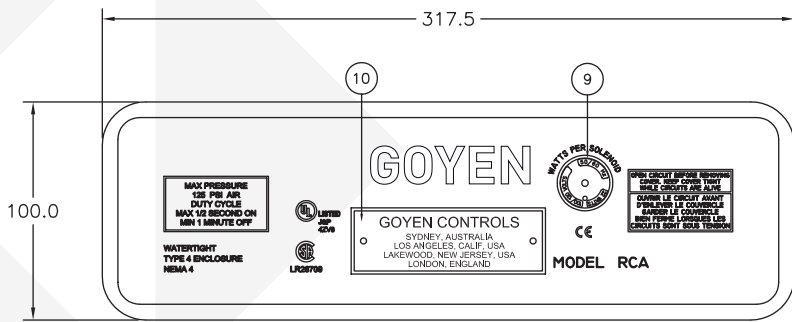


3-5V5 Series

Mass = 0.814 kg + 0.174 kg per valve pilot fitted
 (1.795 lb + 0.384 lb per pilot valve fitted)

GOYEN - NEMA4/RAINTIGHT/ATEX II 3 D G DIECAST PILOT VALVE ENCLOSURES (5, 8, 12 VALVE) FOR NON-HAZARDOUS LOCATIONS

PRODUCT LEAFLET

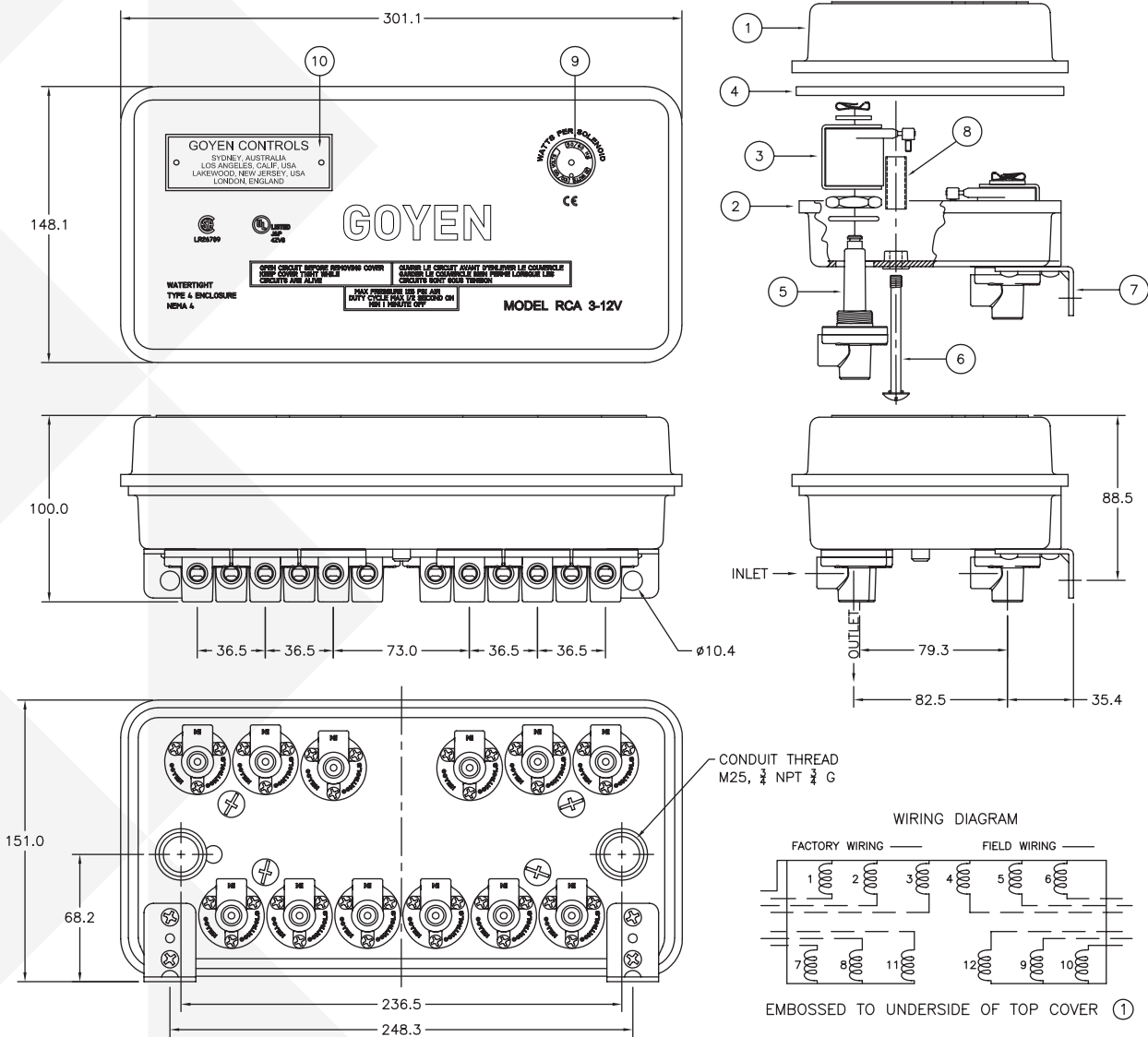


3-8V8

Mass = 1.280 kg + 0.174 kg per pilot valve fitted
 (2.820 lb + 0.384 lb per pilot valve fitted)

GOYEN - NEMA4/RAINTIGHT/ATEX II 3 D G DIECAST PILOT VALVE ENCLOSURES (5, 8, 12 VALVE) FOR NON-HAZARDOUS LOCATIONS

PRODUCT LEAFLET



3-12V12

Mass = 1.574 kg + 0.174 kg per pilot valve fitted
 (3.470 lb + 0.384 lb per pilot valve fitted)



GOYEN CONTROLS PTY LIMITED

268 MILPERRA ROAD, MILPERRA NSW 2214, AUSTRALIA WWW.GOYENMECAIR.PENTAIR.COM

Note: The information and data contained in this document are based on our general experience and are believed to be correct. They are given in good faith and are intended to provide a guideline for the selection and use of our products. Since the conditions under which our products may be used are beyond our control, this information does not imply any guarantee of final product performance and we cannot accept any liability with respect to the use of our products. The quality of our products is guaranteed under our conditions of sale. Existing industrial property rights must be observed.

PL PENTAIR GOYEN PILOT VALVE ENCLOSURES FOR NON-HAZARDOUS LOCATIONS 3517 © 2017 Pentair. All Rights Reserved.