

THIS DOCUMENT CONTAINS PROPRIETARY AND CONFIDENTIAL DATA OF EUROVAC INC. NO DISCLOSURE REPRODUCTION, OR USE OF ANY PART THEREOF, MAY BE MADE WITHOUT WRITTEN PERMISSION OF THE COMPANY.

EUROVAC

116 BUTTERMILL AVE., CONCORD, ONTARIO, L4K 3X7

TEL.: 1-800-265-3878

FAX: 905-738-4603

www.eurovac.com

PRODUCT SPECIFICATIONS

PRODUCT: MODIFIED $\phi 18$ " WET SEPARATOR

FOR APPROVAL

FOR CERTIFICATION

PROJECT: -

PROJECT NO.: -

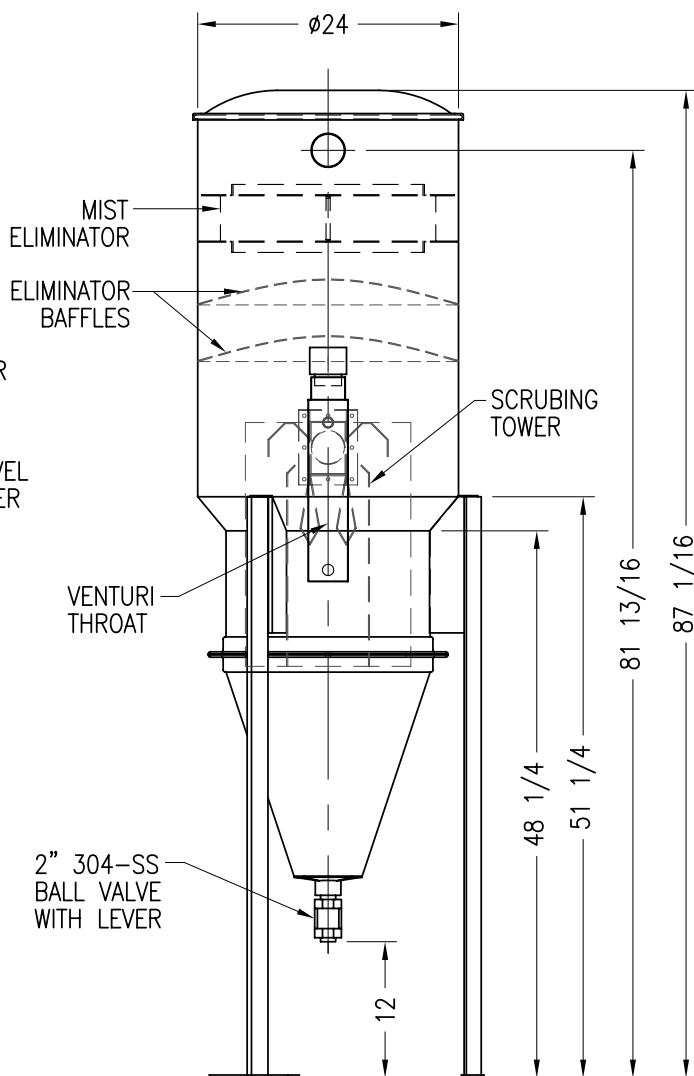
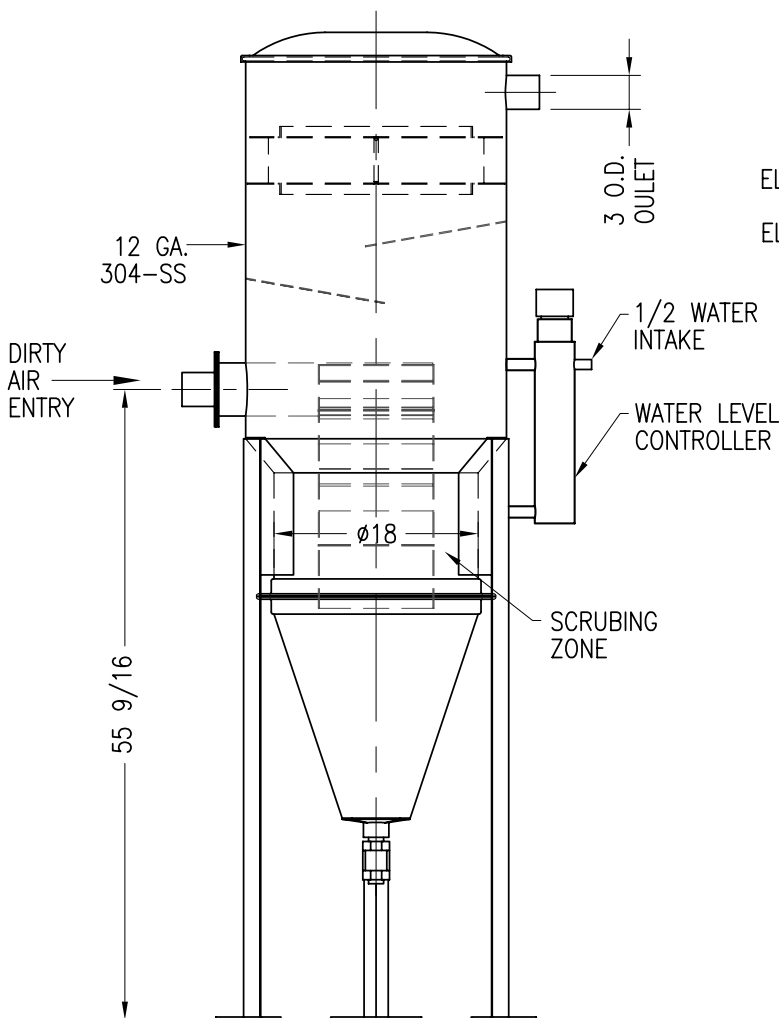
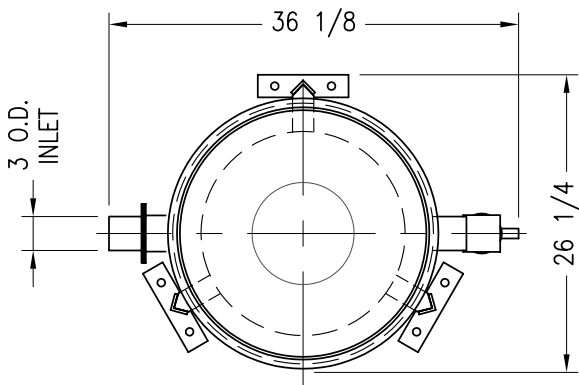
ORDER NO.: -



Distributed By:
Industry Air Sales Ltd.
E-Mail: info@industryairsales.com

2 Automatic Road, Unit 123
Brampton, Ontario, Canada
L6S 8K3
Tel: 888-211-0171 / 905-458-8900
Fax: 905-458-4599
www.industryairsales.com

MODEL NO.	AIR FLOW	INLET	OUTLET
M18 WSEP	400 CFM	3" O.D.	3" O.D.



- SYSTEM PRESSURE DIFFERENTIAL IN THE VESSEL WILL BE BETWEEN 6 - 18 in. Hg DEPENDING ON WATER LEVEL.

*NOTE: ALL DIMENSIONS ARE IN INCHES.

