

EUROVAC II – 2 MAN PORTABLE

Now a portable vacuum designed specifically for dust free sanding



- Powerful 2.5 H.P., 1440 watt pump has sufficient suction for 2 technicians to sand at the same time. Produces 110" of water column; 103 free flow CFM.

- Quiet operation...motor housing is insulated and baffled for sound.

- On/off feature...motor is turned on and off automatically by air switches when tools are activated. This increases the life of the motor and reduces energy costs of running the motor.

- Superior filtration...combination true cyclonic filtration plus secondary cartridge filter. Unlike most portables utilizing a cartridge filter, a standpipe surrounding the cartridge filter does not allow the dust laden air entering the inlets to go directly to the cartridge filter. The standpipe forces the air to move down the canister to the cyclone where 85% of the sanding dust is removed before the secondary cartridge filter (see diagram below). This results in the unit operating much more efficiently than units which do not have true cyclonic filtration.

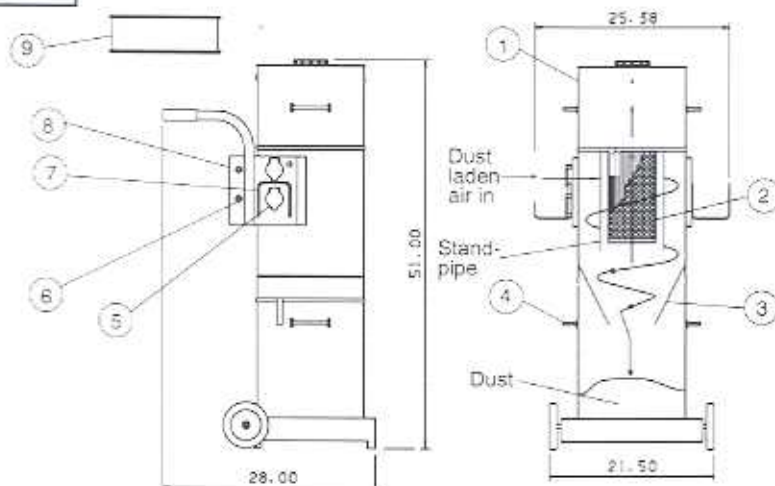
- HEPA filtration is available by adding a chamber between the pump and regular filters. HEPA filter removes the remaining 99.97% of sanding dust to a minimum of .3 micron particle.

- Includes two 25' x 1 1/4" vacuum hoses with integrated air lines. Hoses are integrated so sanders have the same feel as sanding without vacuum.

- Heavy duty construction of 14 gauge steel with a tough powder coat finish.

SPECIFICATIONS:

1. Motor: 1440 Watts, 120 V, 16,475 R.P.M., 110" of Water Column, 103 C.F.M.
2. Cartridge Filter
3. Cyclone
4. Waste Pail
5. Vacuum Stations (2)
6. Compressed Air Outlets (2)
7. Hose Hanger
8. Switch, complete with Overload Protection
9. Optional Hepa Filter



Distributed By:
Industry Air Sales Ltd.

E-Mail: info@industryairsales.com

2 Automatic Road, Unit 123
Brampton, Ontario, Canada
L6S 6K8
Tel: 888-211-0171 / 905-458-8900
Fax: 905-458-4599
www.industryairsales.com