



*FULLY CUSTOMIZABLE
BUBBLE-TIGHT DAMPERS*



ELECTRIC ACTUATOR



ELECTRIC ACTUATOR W/MANUAL OVERRIDE



MANUAL ACTUATOR

CTC Bubble-Tight Dampers

CTC bubble-tight dampers are designed to function as both isolation dampers or control dampers. For isolation purposes, this damper is used for isolation of a filter bank primarily during the filter change-out process. As a control damper, it is used to control the air flow through the filter system.

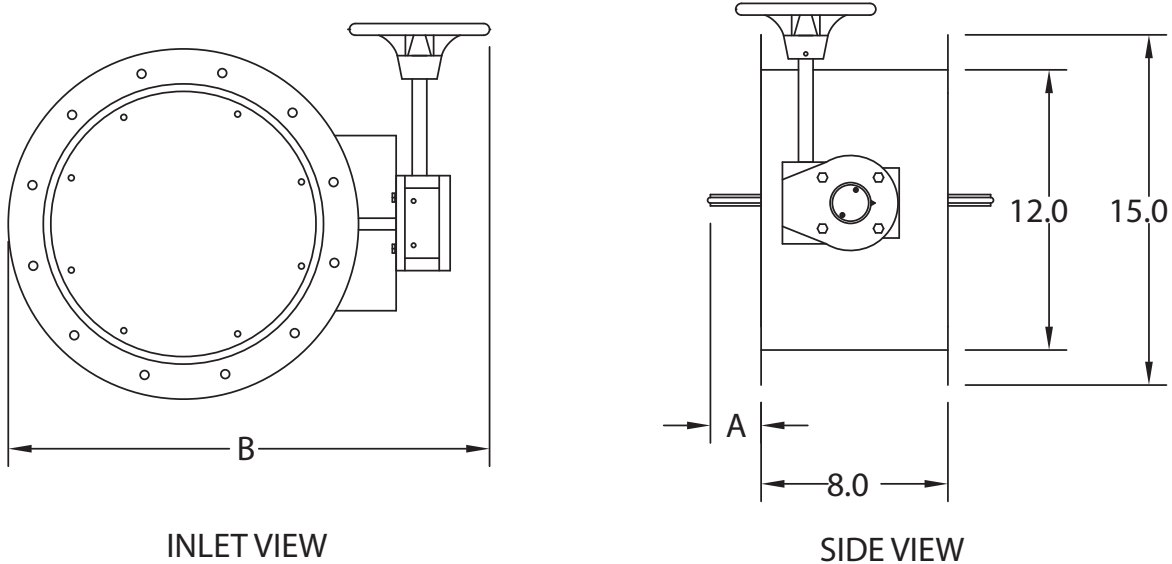
A variety of sizes with different actuators are available for a wide range of air flows. The flanges can be customized in shape and size. All meet the following:

- Manufactured of a 10-gauge body, 7-gauge (3/16") blades and flanges. T-304 stainless steel and 316L are available.
- All pressure boundaries are continuously seam welded.
- Manufactured in any size from 6 to 36 inches.
- Manual, electric, or pneumatic actuators are available.
- External shaft seals include bronze bearings with Polypak™ ring seal rated at 800 psi.
- Blade gasket is available in different materials for temperature and chemical requirements.
- Tested at 10" w.g. by pressure decay method per applicable sections of ASME N510-1995.
- Design tested bubble-tight after 100,000 open/close cycles.
- Manufactured per the applicable requirements of ASME NQA-1.

See back for damper configurations and dimensions.

STANDARD DAMPER CONFIGURATION TABLE							
DAMPER MODEL	FLANGE I.D.	FLANGE O.D.	NO. OF HOLES	BOLT HOLE DIA.	DIM. A	DIM. B *	UNIT WEIGHT
CCD-6	6	9	4	3/8	0	14.5	36
CCD-8	8	11	8	3/8	0	16.5	45
CCD-10	10	13	12	3/8	1.0	18.5	60
CCD-12	12	15	12	3/8	2.0	20.5	65
CCD-14	14	17	12	3/8	3.0	22.5	70
CCD-16	16	19	16	3/8	4.0	24.5	80
CCD-18	18	21	16	3/8	5.0	26.5	95
CCD-20	20	23	16	3/8	6.0	28.5	110
CCD-22	22	25	20	3/8	7.0	30.5	120
CCD-24	24	27	20	3/8	8.0	32.5	130
CCD-26	26	29	20	3/8	9.0	34.5	145
CCD-28	28	31	24	3/8	10.0	36.5	160
CCD-30	30	33	24	3/8	11.0	42.0	175
CCD-32	32	35	24	3/8	12.0	44.0	185
CCD-34	34	37	30	3/8	13.0	46.0	195
CCD-36	36	39	30	3/8	14.0	48.0	200

* B DIMENSION BASED ON GEAR OPERATOR MAY VARY WITH DIFFERENT OPERATOR
MODEL: CCD-12 SHOWN



NOTES:

1. MATERIAL 3/16" STAINLESS STEEL, T304, 316, OR 316L
2. UNIT COMPLETELY FACTORY ASSEMBLED
3. SHAFT SEAL TO HOLD POLY PACK, ZERO LEAKAGE UP TO 150 PSI
4. CLOSED CELL PVC BLADE SEAL
5. ALL WELDS AND WELDERS SHALL BE QUALIFIED IN ACCORDANCE WITH ASME BPVC SECTION IX.
6. DAMPERS WILL BE TESTED TO MEET OR EXCEED THE REQUIREMENTS OF ASME N510-1996 CLASS I.
7. DRILLED FLANGES AS RECOMMENDED IN ERDA 76-21 "NUCLEAR AIR CLEANING HANDBOOK"
8. DESIGN TESTED TO MAINTAIN ZERO LEAKAGE AFTER 100,000 CYCLES
9. ACTUATOR: PAINTED CAST 90° WORM GEAR WITH 30:1 RATIO