

Curtain Panels:

Softwall Cleanrooms designed with standard 40 mil curtain panels are supplied with an anodized aluminum mounting track. (Fig. 1)

Our engineers factor in the desired velocity and choose the appropriate curtain length for each cleanroom, resulting in proper airflow relief.

Curtain Panel Options:

Clear vinyl and antistatic curtain panels are also available in 20, 40, 60 and 80 mil thicknesses. Frosted curtains and various colors including Yellow/Amber, Smoke and Black Opaque are available, as well.

Mounting Options:

Curtains may be ordered with Dual Lock or Velcro attached to the tops and sides for attaching to the frame. After the mated piece is attached to the frame on site, the curtain panel is then attached to the frame. Both options ensure a tight seal around the edges at a reasonable cost. Consult with our factory for the proper curtain attachment for your application. (Fig. 2)

Standard Strip Door and Options:

Our standard 4' strip door consists of 8" 80 mil clear vinyl strips overlapped 2". Individual strips are factory installed on an aluminum mounting track. The strip door is attached to the cleanroom frame on-site during assembly. (Fig. 3, 4 & 5)

Optional strip doors with alternating frosted strips reduces friction between the strips and extends the life of the door. (Fig. 4)

Maintenance and Cleaning:

Refer to next page for maintenance and cleaning procedures.

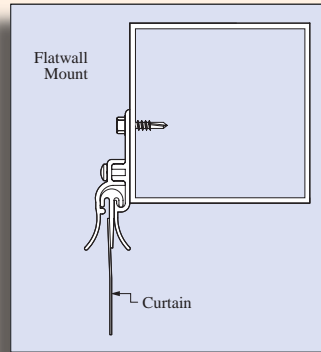


Fig. 1

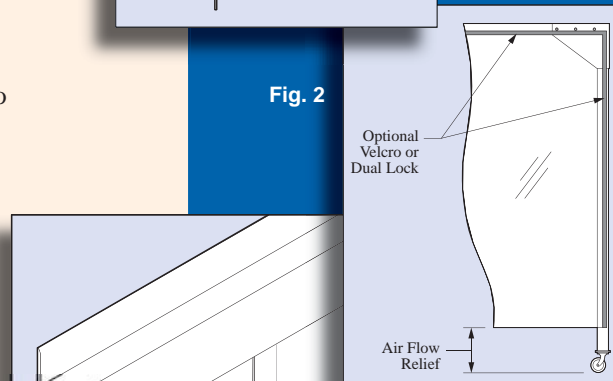


Fig. 2

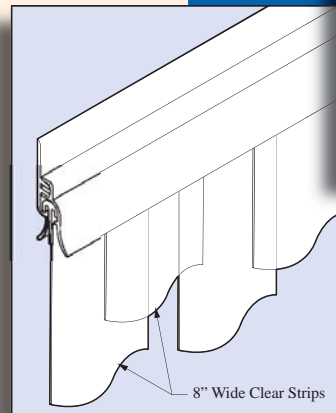


Fig. 3

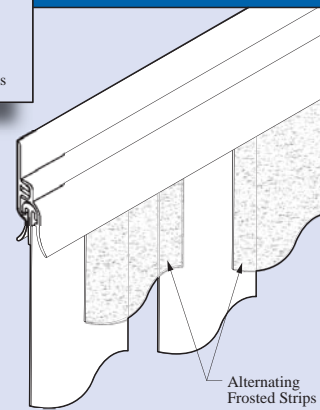


Fig. 4

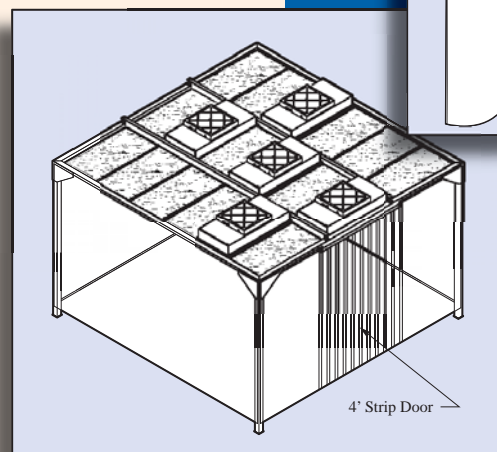


Fig. 5

We reserve the right to make improvements without notice