



GOYEN

DISTRIBUTED BY:



650 Woodlawn Rd. W. Unit A-8
Guelph, ON N1K 1B8

TEL: 888-211-0171 / 519-823-8900

FAX: 519-824-5599

EMAIL: parts@industryairsales.com

www.industryairsales.com



BULKHEAD CONNECTORS

GOYEN BULKHEAD CONNECTORS

PRODUCT LEAFLET



BHD



BHDD



BHSS

DESCRIPTION

Goyen produces a range of aluminium diecast bulkhead connectors designed to ease the installation of cleaning systems onto dust collectors. These components eliminate the requirement for welding and allow easy removal of cleaning systems and blowtubes for maintenance purposes.

SUITABLE FOR

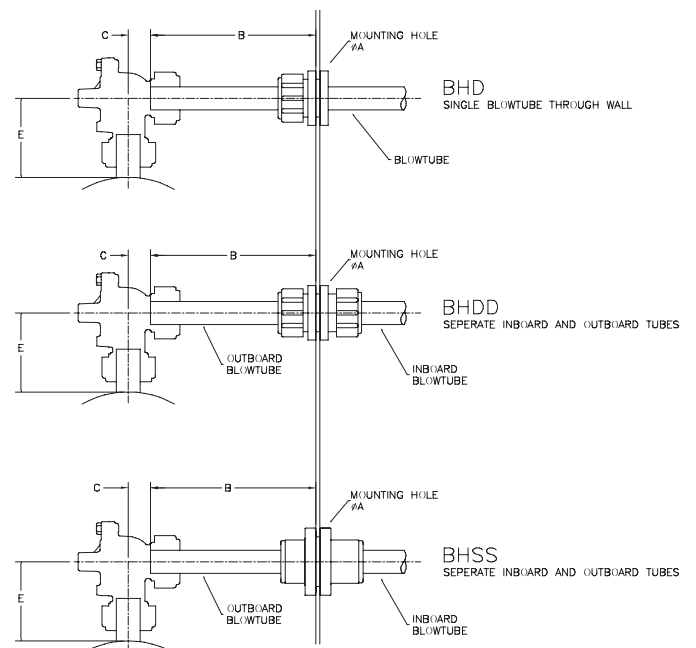
Most reverse pulse jet dust collector installations and their variations including bag filters, cartridge filters, envelope filters, ceramic filters, and sintered metal fibre filters.

1. Dresser nut and slide seal assemblies are for sealing purposes only and are not intended for valve or blowtube restraint.
2. Blowtubes and valves must be independently restrained.
3. Do not pressurise system until all valves are fully secured.
4. Fully relieve pressure before conducting any work on the cleaning system components.

INSTALLATION

MODEL	ØA MM (INCHES)	B MM (INCHES)
BH20D	45 – 51 (1.75 – 2.0)	97 (3.81)
BH25D	56 – 62 (2.2 – 2.4)	118 (4.63)
BH40D	72 – 78 (2.8 – 3.1)	157 (6.19)
BH20DD	45 – 51 (1.75 – 2.0)	97 (3.81)
BH25DD	56 – 62 (2.2 – 2.4)	118 (4.63)
BH40DD	72 – 78 (2.8 – 3.1)	157 (6.19)
BH25SS	56 – 62 (2.2 – 2.4)	118 (4.63)
BH45SS	72 – 78 (2.8 – 3.1)	157 (6.19)

MATING VALVE	C MM (INCHES)	E MM (INCHES)
20DD	22 (0.86)	105 (4.13)
25DD	30 (1.18)	121 (4.76)
45DD	40 (1.57)	155 (6.10)
20T	7 (0.28)	NA
25T	5 (0.20)	NA
45T	16 (0.63)	NA
20FS	34 (1.34)	66 (2.60)
25FS	67 (2.63)	82 (3.23)
45FS	88 (3.46)	96 (3.78)



GOYEN

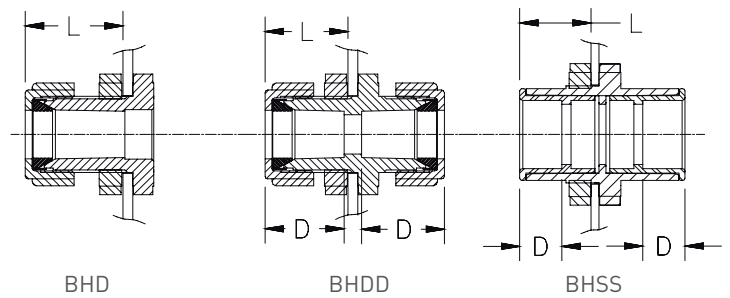
BULKHEAD CONNECTORS

PRODUCT LEAFLET

DIMENSIONS

[Dimensions in mm and [inches]]

MODEL	L – LENGTH MM (INCHES)	D – INSERTION DEPTH MM (INCHES)
BH20D	51 [2.01]	NA
BH25D	55 [2.17]	NA
BH40D	72 [2.83]	NA
BH20DD	52 [2.05]	48 [1.89]
BH25DD	55 [2.17]	52 [2.05]
BH40DD	72 [2.83]	58 [2.28]
BH25SS	52 [2.05]	30 [1.18]
BH45SS	51 [2.01]	30 [1.18]



ORDER CODE AND CHARACTERISTICS

ORDER CODE	NOM. PIPE SIZE MM (INCHES)	STYLE	MATERIAL	TEMPERATURE RANGE °C °(F)	UNIT MASS KG (LBS)
BH20D	20 (¾)	Single dresser nut	Diecast aluminium & nitrile	-40 [-40] to 80 [176]	0.27 [0.60]
BH20D-V	20 (¾)	Single dresser nut	Diecast aluminium & viton	-29 [-20.2] to 232 [449.6]	0.27 [0.60]
BH25D	25 (1)	Single dresser nut	Diecast aluminium & nitrile	-40 [-40] to 80 [176]	0.40 [0.88]
BH25D-V	25 (1)	Single dresser nut	Diecast aluminium & viton	-29 [-20.2] to 232 [449.6]	0.40 [0.88]
BH40D	40 (1.5)	Single dresser nut	Diecast aluminium & nitrile	-40 [-40] to 80 [176]	0.76 [1.68]
BH40D-V	40 (1.5)	Single dresser nut	Diecast aluminium & viton	-29 [-20.2] to 232 [449.6]	0.76 [1.68]
BH20DD	20 (¾)	Two dresser nuts	Diecast aluminium & nitrile	-40 [-40] to 80 [176]	0.41 [0.90]
BH20DD-V	20 (¾)	Two dresser nuts	Diecast aluminium & viton	-29 [-20.2] to 232 [449.6]	0.41 [0.90]
BH25DD	25 (1)	Two dresser nuts	Diecast aluminium & nitrile	-40 [-40] to 80 [176]	0.66 [1.46]
BH25DD-V	25 (1)	Two dresser nuts	Diecast aluminium & viton	-29 [-20.2] to 232 [449.6]	0.66 [1.46]
BH40DD	40 (1.5)	Two dresser nuts	Diecast aluminium & nitrile	-40 [-40] to 80 [176]	1.16 [2.56]
BH40DD-V	40 (1.5)	Two dresser nuts	Diecast aluminium & viton	-29 [-20.2] to 232 [449.6]	1.16 [2.56]
BH25SS	25 (1)	Slide seal	Diecast aluminium & EPDM	-40 [-40] to 80 [176]	0.53 [1.17]
BH25SS-V	25 (1)	Slide seal	Diecast aluminium & viton	-29 [-20.2] to 232 [449.6]	0.53 [1.17]
BHS25SSV	25 (1)	Slide seal	316 stainless steel & viton	-29 [-20.2] to 232 [449.6]	1.5* [3.4]*
BH45SS	40 (1.5)	Slide seal	Diecast aluminium & EPDM	-40 [-40] to 80 [176]	0.85 [1.87]
BH45SS-V	40 (1.5)	Slide seal	Diecast aluminium & viton	-29 [-20.2] to 232 [449.6]	0.85 [1.87]

* Approximate mass only

GOYEN

BULKHEAD CONNECTORS

PRODUCT LEAFLET



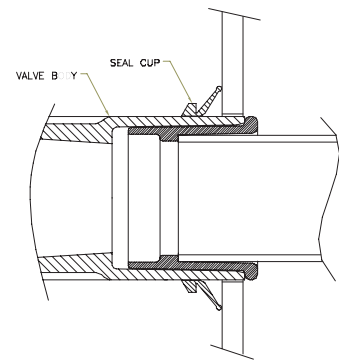
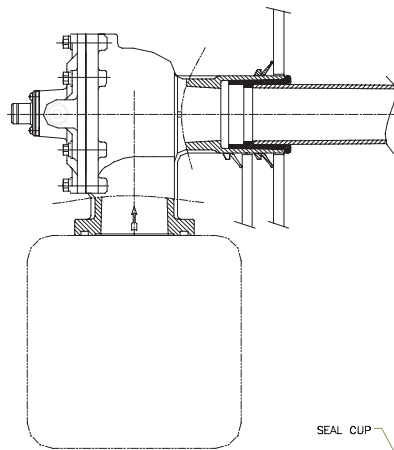
DESCRIPTION

Goyen produces a range of EPDM and viton bulkhead seals designed to ease the installation of cleaning systems onto dust collectors. These components eliminate the requirement for welding and allow easy removal of cleaning systems and blowtubes for maintenance purposes.

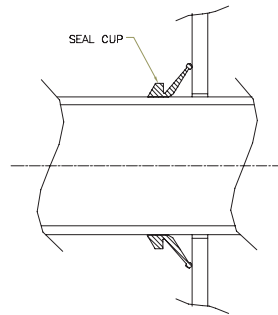
SUITABLE FOR

Most reverse pulse jet dust collector installations and their variations including bag filters, cartridge filters, envelope filters, ceramic filters, and sintered metal fibre filters.

INSTALLATION



Valve to wall seal
Suitable for FS valves only



Blowtube to wall seal

ORDER CODE AND CHARACTERISTICS

ORDER CODE	NOM. PIPE OD SCHEDULE 40	STYLE	MATERIAL	TEMPERATURE RANGE °C [°F]	UNIT MASS KG (LBS)
690591	¾"	Valve to wall seal*	EPDM	-40 [-40] to 82 [179.6]	0.005
690591-2	¾"	Valve to wall seal*	Viton	-29 [-20.2] to 232 [449.6]	0.005
690125	1"	Valve to wall seal*	EPDM	-40 [-40] to 82 [179.6]	0.015
690125-2	1"	Valve to wall seal*	Viton	-29 [-20.2] to 232 [449.6]	0.015
690093	1½"	Valve to wall seal*	EPDM	-40 [-40] to 82 [179.6]	0.025
690093-2	1½"	Valve to wall seal*	Viton	-29 [-20.2] to 232 [449.6]	0.025
690593	¾"	Blowtube to wall seal	EPDM	-40 [-40] to 82 [179.6]	0.005
690593-2	¾"	Blowtube to wall seal	Viton	-29 [-20.2] to 232 [449.6]	0.005
690129	1"	Blowtube to wall seal	EPDM	-40 [-40] to 82 [179.6]	0.015
690129-2	1"	Blowtube to wall seal	Viton	-29 [-20.2] to 232 [449.6]	0.015
690094	1½"	Blowtube to wall seal	EPDM	-40 [-40] to 82 [179.6]	0.025
690094-2	1½"	Blowtube to wall seal	Viton	-29 [-20.2] to 232 [449.6]	0.025

* Suitable for FS valves



GOYEN CONTROLS PTY LIMITED

268 MILPERRA ROAD, MILPERRA NSW 2214, AUSTRALIA WWW.GOYENMECAIR.PENTAIR.COM

Note: The information and data contained in this document are based on our general experience and are believed to be correct. They are given in good faith and are intended to provide a guideline for the selection and use of our products. Since the conditions under which our products may be used are beyond our control, this information does not imply any guarantee of final product performance and we cannot accept any liability with respect to the use of our products. The quality of our products is guaranteed under our conditions of sale. Existing industrial property rights must be observed.
PL PENTAIR GOYEN BULKHEAD CONNECTORS 3517 © 2017 Pentair. All Rights Reserved.