

EUROVAC I INDUSTRIAL PORTABLE

Eliminate sanding and grinding dust at the source with a Eurovac 1 – Industrial portable



Powerful Regenerative Blower

Ideal for three or four technicians vacuum sanding at the same time, or two technicians using grinders at the same time.

Long lasting - Low maintenance

The regenerative blower has an T.E.F.C. induction motor rated for 20,000 hours, which outlasts brush motors found in most portables. Regenerative motors require little or no maintenance.

Superior Filtration

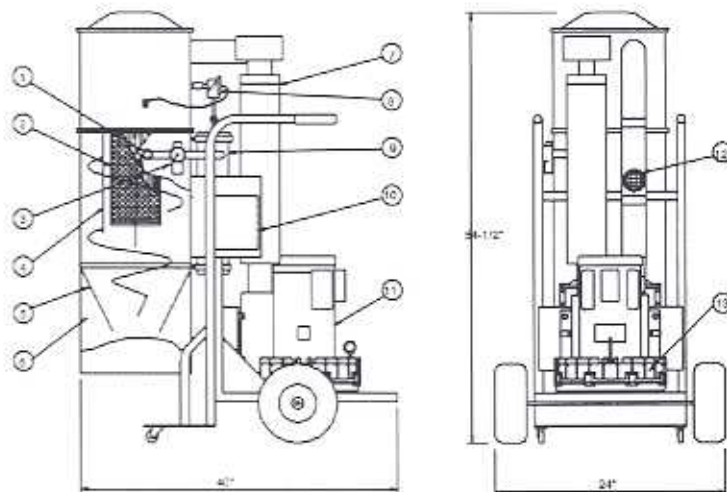
Cyclonic filtration removes 99% of dust before the secondary filter. This results in the unit operating much more efficiently than units which do not have cyclonic filtration. The remaining 1% of dust is removed by a secondary cartridge filter which is cleaned by compressed air pulse jet cleaning action.

HEPA Filtration

HEPA filtration is available by adding a filter between the pump and the cartridge filters. HEPA filters remove any remaining particles (to a minimum of .3 micron), providing a final efficiency of 99.97% of sanding dust removed.

SPECIFICATIONS

1. Inlet: Compressed air
2. Cartridge Filter
3. Gauge: Air pressure & Water trap
4. Standpipe
5. Cyclone
6. Waste Pail
7. Muffler
8. Pulse Jet Valve
9. Tank: Compressed air reservoir
10. Switch: Complete with overload protection
11. Motor: T.E.F.C. 4 H.P. 230/1/60. 4.5 or 6.7 H.P. 230/460/575/3/60.
12. Vacuum Relief Valve
13. Regenerative Blower: Motor mounted



HR1652805