

THIS DOCUMENT CONTAINS PROPRIETARY AND CONFIDENTIAL DATA OF EUROVAC INC. NO DISCLOSURE REPRODUCTION, OR USE OF ANY PART THEREOF, MAY BE MADE WITHOUT WRITTEN PERMISSION OF THE COMPANY.

# EUROVAC

116 BUTTERMILL AVE., CONCORD, ONTARIO, L4K 3X7

TEL.: 1-800-265-3878

FAX: 905-738-4603

www.eurovac.com

## PRODUCT SPECIFICATIONS

PRODUCT: MODIFIED  $\phi 18$ " WET SEPARATOR

FOR APPROVAL

FOR CERTIFICATION

PROJECT: -

PROJECT NO.: -

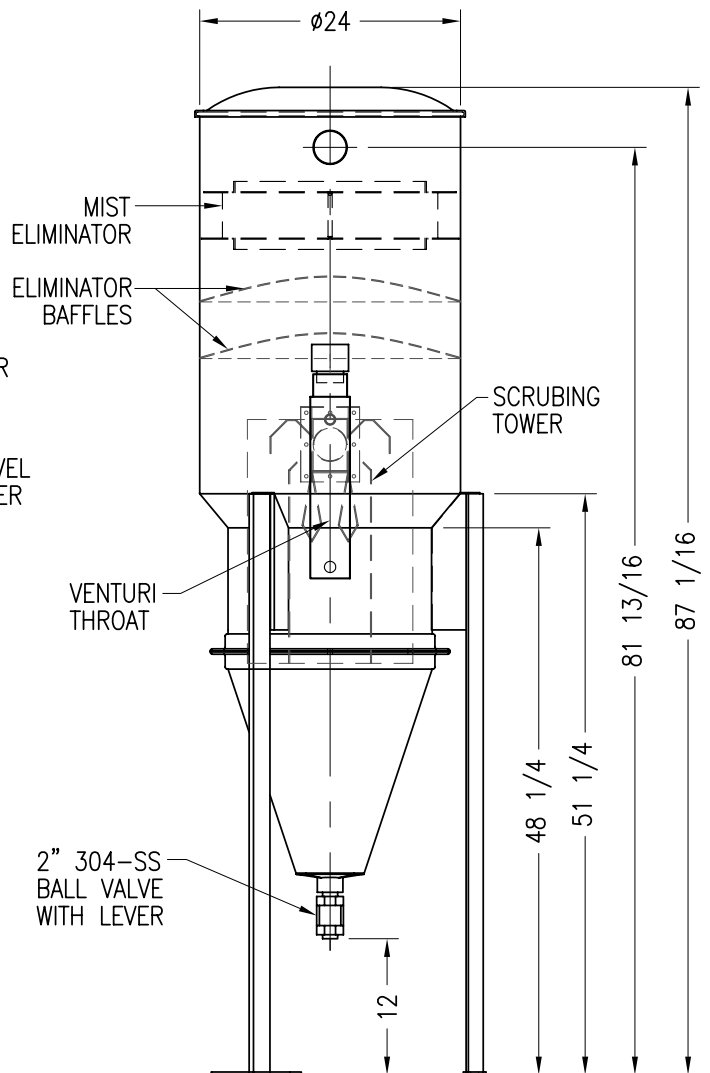
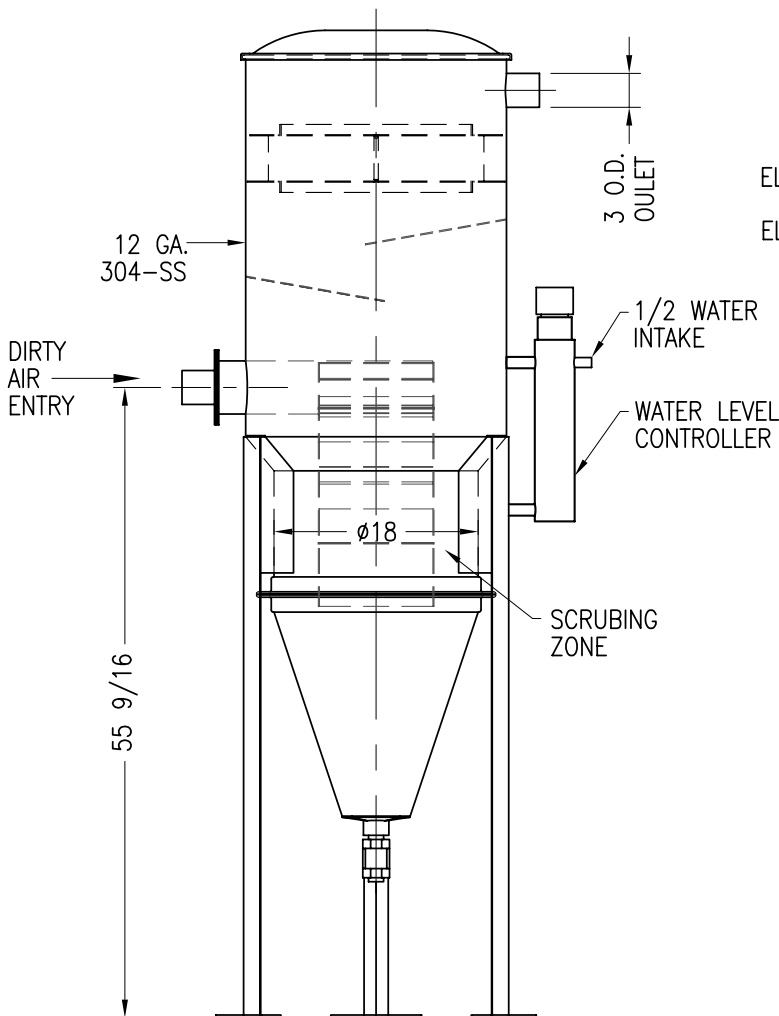
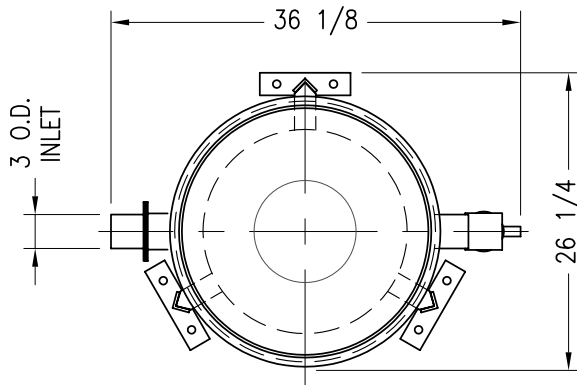
ORDER NO.: -



Distributed By:  
**Industry Air Sales Ltd.**  
E-Mail: info@industryairsales.com

2 Automatic Road, Unit 123  
Brampton, Ontario, Canada  
L6S 8K3  
Tel: 888-211-0171 / 905-458-8900  
Fax: 905-458-4599  
www.industryairsales.com

MODEL NO.	AIR FLOW	INLET	OUTLET
M18 WSEP	400 CFM	3" O.D.	3" O.D.



- SYSTEM PRESSURE DIFFERENTIAL IN THE VESSEL WILL BE BETWEEN 6 - 18 in. Hg DEPENDING ON WATER LEVEL.

\*NOTE: ALL DIMENSIONS ARE IN INCHES.

