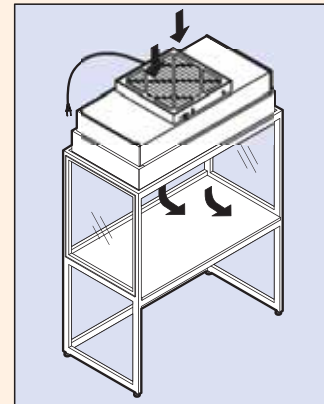
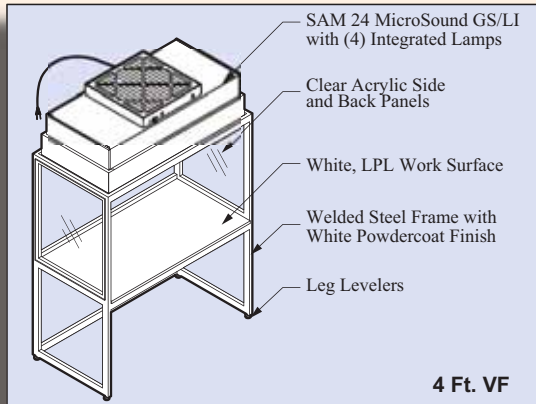


E Series Vertical Flow Clean Benches



Ordering Information								
Sit-down Style Vertical Flow and Work Surface 30" from Floor								
With Lights						Without Lights		
Model No.	Nominal	Work Surface	Overall Dim.	Opening Size	Voltage	Model No.	Overall Dim.	Voltage
13200	2 Ft.	24" x 25"	26"L x 26"D x 78"H	24"L x 30"H	115V	13230	26"L x 26"D x 73"H	115V
13201	4 Ft.	48" x 25"	50"L x 26"D x 78"H	48"L x 30"H	115V	13231	50"L x 26"D x 73"H	115V
13202	4 Ft.	48" x 32"	50"L x 33"D x 78"H	48"L x 30"H	115V	13232	50"L x 33"D x 73"H	115V
13203	6 Ft.	72" x 25"	74"L x 26"D x 78"H	72"L x 30"H	115V	13233	74"L x 26"D x 73"H	115V
13204	6 Ft.	72" x 32"	74"L x 33"D x 78"H	72"L x 30"H	115V	13234	74"L x 33"D x 73"H	115V
13205	8 Ft.	96" x 25"	98"L x 26"D x 78"H	96"L x 30"H	115V	13235	98"L x 26"D x 73"H	115V
13206	8 Ft.	96" x 32"	98"L x 33"D x 78"H	96"L x 30"H	115V	13236	98"L x 33"D x 73"H	115V
<i>NOTE: Fluorescent light tubes not included</i>								

Ordering Information								
Stand-up Style Vertical Flow and Work Surface 40" from Floor								
With Lights						Without Lights		
Model No.	Nominal	Work Surface	Overall Dim.	Opening Size	Voltage	Model No.	Overall Dim.	Voltage
13257	2 Ft.	24" x 25"	26"L x 26"D x 88"H	24"L x 30"H	115V	13230	26"L x 26"D x 83"H	115V
13207	4 Ft.	48" x 25"	50"L x 26"D x 88"H	48"L x 30"H	115V	13231	50"L x 26"D x 83"H	115V
13208	4 Ft.	48" x 32"	50"L x 33"D x 88"H	48"L x 30"H	115V	13232	50"L x 33"D x 83"H	115V
13209	6 Ft.	72" x 25"	74"L x 26"D x 88"H	72"L x 30"H	115V	13233	74"L x 26"D x 83"H	115V
13210	6 Ft.	72" x 32"	74"L x 33"D x 88"H	72"L x 30"H	115V	13234	74"L x 33"D x 83"H	115V
13211	8 Ft.	96" x 25"	98"L x 26"D x 88"H	96"L x 30"H	115V	13235	98"L x 26"D x 83"H	115V
13212	8 Ft.	96" x 32"	98"L x 33"D x 88"H	96"L x 30"H	115V	13236	98"L x 33"D x 83"H	115V
<i>NOTE: Fluorescent light tubes not included</i>								

Options		
208-230V, 50/60 hz motor	Casters with brakes	ESD Acrylic side and back panels
277V, 60 hz motor	Duplex electrical outlets	ESD work surface
250V, 50 hz lighting for export models	Front Face Shields	Stainless steel work surface
Duct Collar Adaptor, 10" or 12" diameter	Magnehelic Gage	Static Control Package
ULPA Filter 99.9995% eff @ 0.12 micron or larger	Perforated work surface	
Refer to following pages for more options		