

Aerospace - Air Filtration Equipment



Industrial Vacuum Systems

- Wet or dry systems available
- Useful for housekeeping duties or for vacuum assist tools
- Filtered air can be re-circulated back into the factory

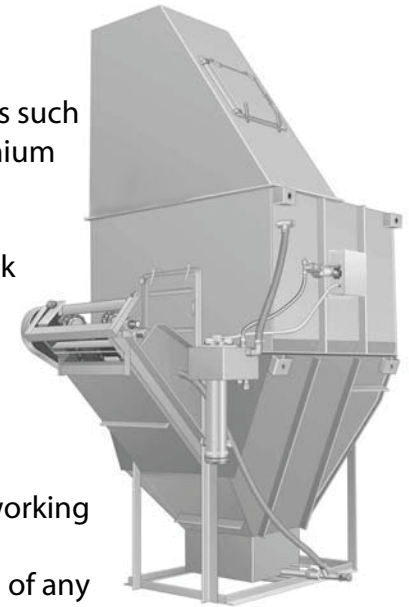
Oil Mist Collection

- For the collection of oil mist generated from machining operations
- Electronic and dry media styles to suit different applications
- Filtered air can be re-circulated back into the factory



Wet Type Dust Collectors

- For the collection of explosive dusts such as aluminum, magnesium and titanium
- Available as central system or as a downdraft bench
- Filtered air can be re-circulated back into the factory



Booth Type Dust Collectors

- Useful for the collection of dust when working on large components
- Modular system allows for the selection of any size of booth
- High efficiency filtration allows for re-circulation of air



Dry Type Dust Collectors

- High efficiency cartridge style or bag style units
- Pulse-jet cleaning systems for extended filter life
- Many available options including explosion vents

